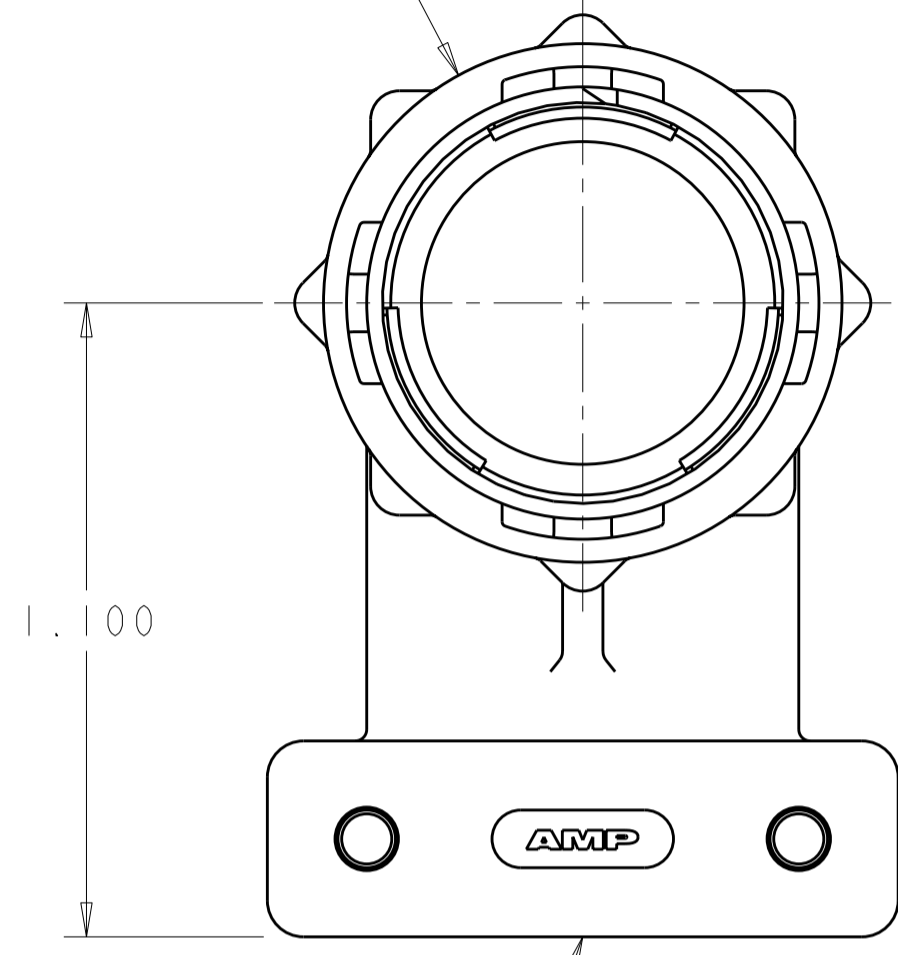


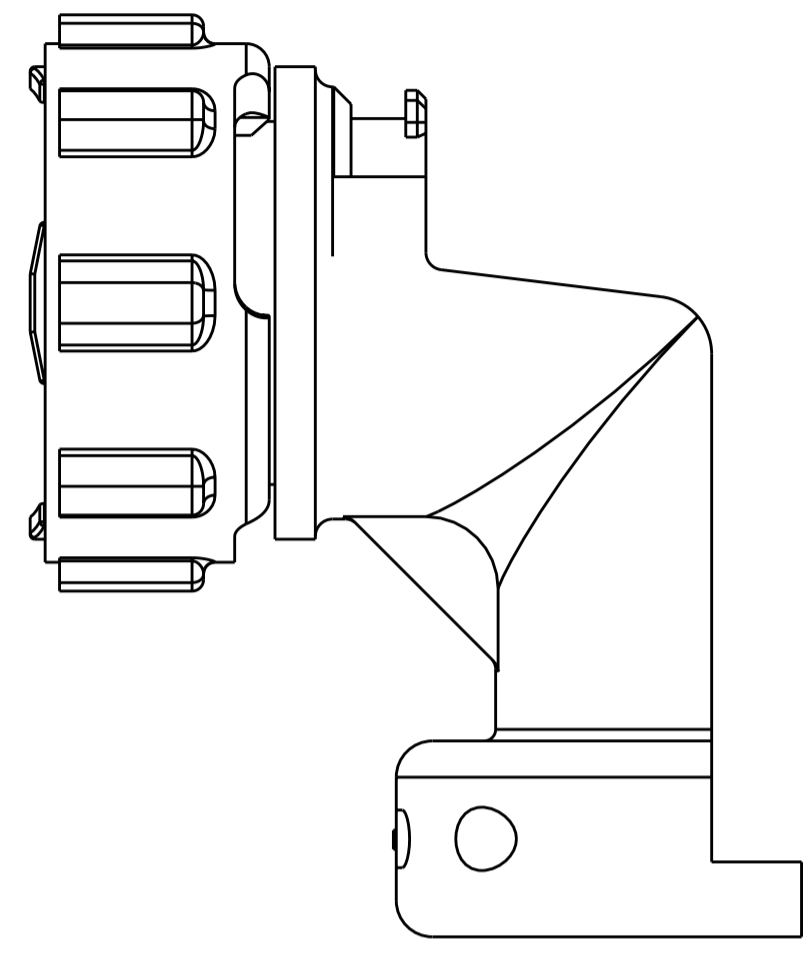
THIS DRAWING IS UNPUBLISHED. RELEASED FOR PUBLICATION
 © COPYRIGHT 20 BY TYCO ELECTRONICS CORPORATION. ALL RIGHTS RESERVED.

LOC		DIST		REVISIONS			
P	LTR	DESCRIPTION	DATE	DWN	APVD		
	D	REVISED PER ECO-08-029125	21NOV2008	HMR	MS		

COUPLING RING
 NYLON, COLOR:BLACK



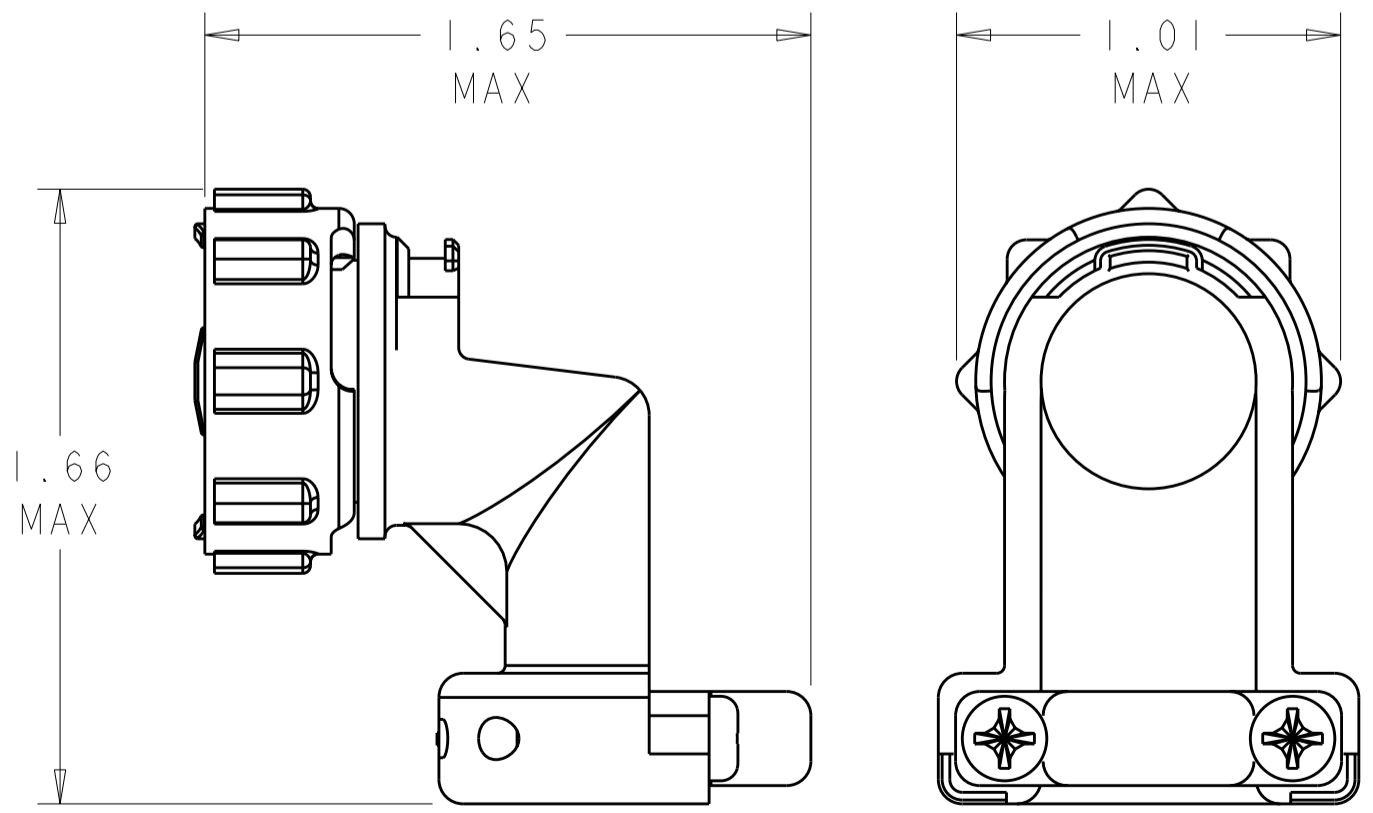
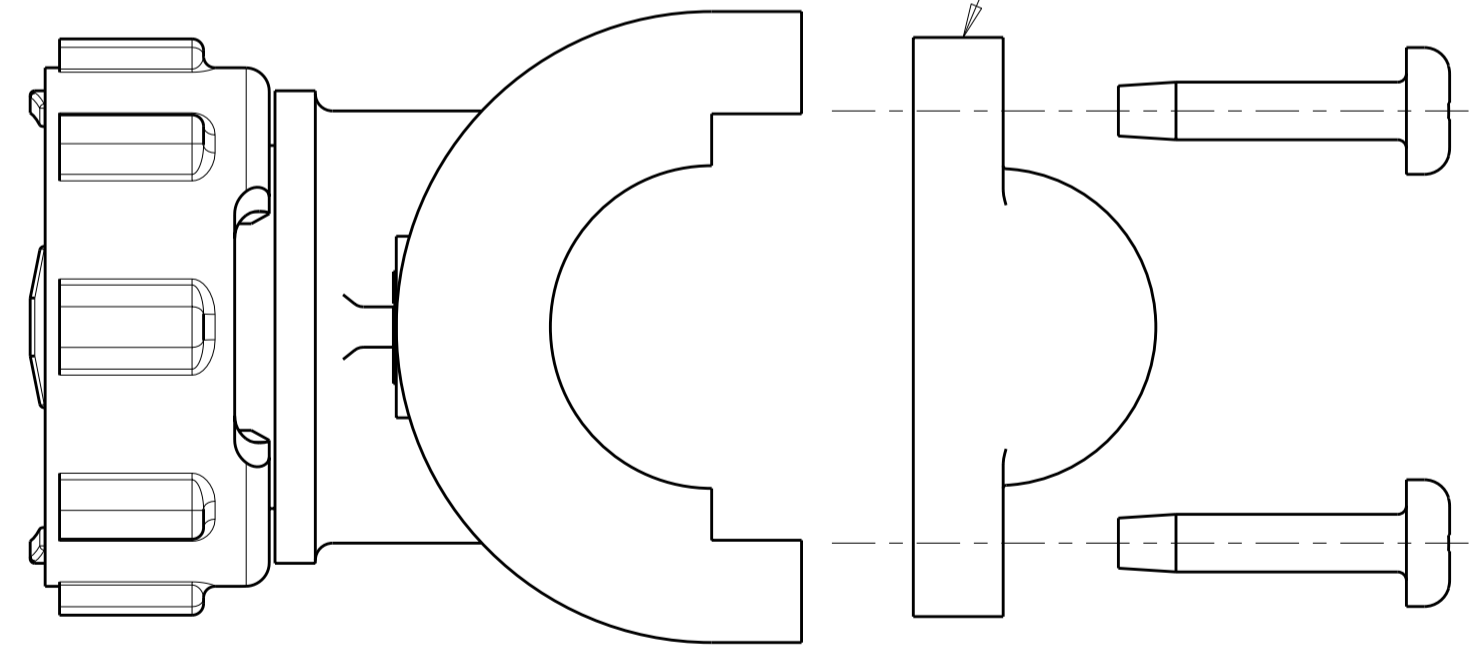
CABLE CLAMP BODY
 NYLON, COLOR:BLACK



- ① SELF TAPPING SCREWS AND CABLE CLAMP INSERTS PACKAGED UNASSEMBLED.
- ② CLAMPING AREA ADJUSTABLE TO .453 O.D. MAX CABLE. CABLE CLAMP INSERTS CAN BE ADJUSTED BY INVERTING OR CHANGING CABLE CLAMP INSERT.

① 5-20 SELF TAPPING SCREW
 MATERIAL: STEEL
 QTY: 2
 LENGTH: .50^{+.00}_{-.05}

①② CABLE CLAMP INSERT
 NYLON, COLOR:BLACK
 QTY: 2



ASSEMBLED VIEW
 SCALE 2:1

796380-2
 796380-1
 PART NUMBER

THIS DRAWING IS A CONTROLLED DOCUMENT FOR TYCO ELECTRONICS CORPORATION. IT IS SUBJECT TO CHANGE AND THE CONTROLLING ENGINEERING ORGANIZATION SHOULD BE CONTACTED FOR THE LATEST REVISION.		DWN S. WELDON 11FEB2000	AMP Incorporated Harrisburg, PA 17105-3608	
DIMENSIONS: INCHES		CHK M. CHACKO 11FEB2000	NAME CABLE CLAMP KIT, UNASSEMBLED, RIGHT ANGLE, SIZE 13, CPC	
TOLERANCES UNLESS OTHERWISE SPECIFIED: 0 PLC ± 1 PLC ± 2 PLC ± 3 PLC ±0.005 4 PLC ± ANGLES ± FINISH		APVD M. CHACKO 11FEB2000	RESTRICTED TO	
MATERIAL		PRODUCT SPEC	SIZE	CAGE CODE
		APPLICATION SPEC	A200779	C-796380
		WEIGHT	SCALE 3:1	SHEET 1 OF 1
		CUSTOMER DRAWING		REV D